

## Laboratory Mill

NTD has included in its production line a new wide range of laboratory mills.



**MATERIAL**  
**STAINLESS STEEL AISI 304**

**ELECTRICAL**  
**LIFTING**

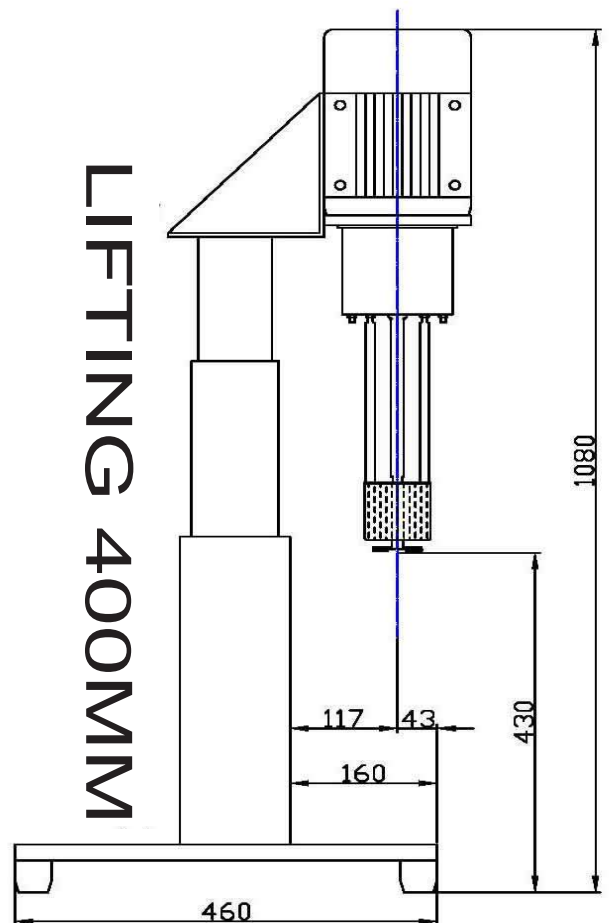
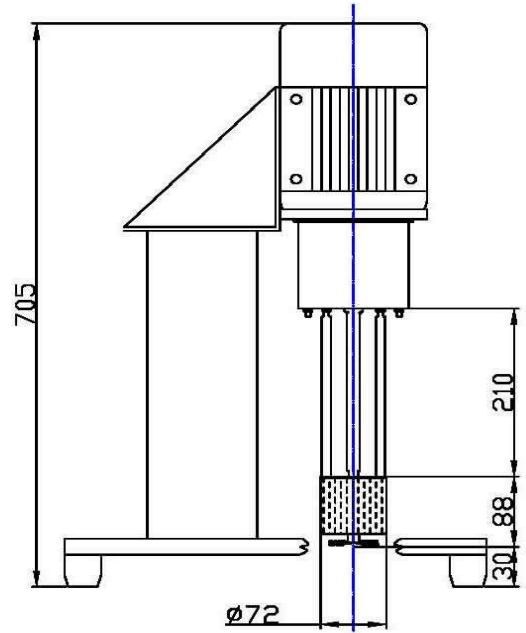
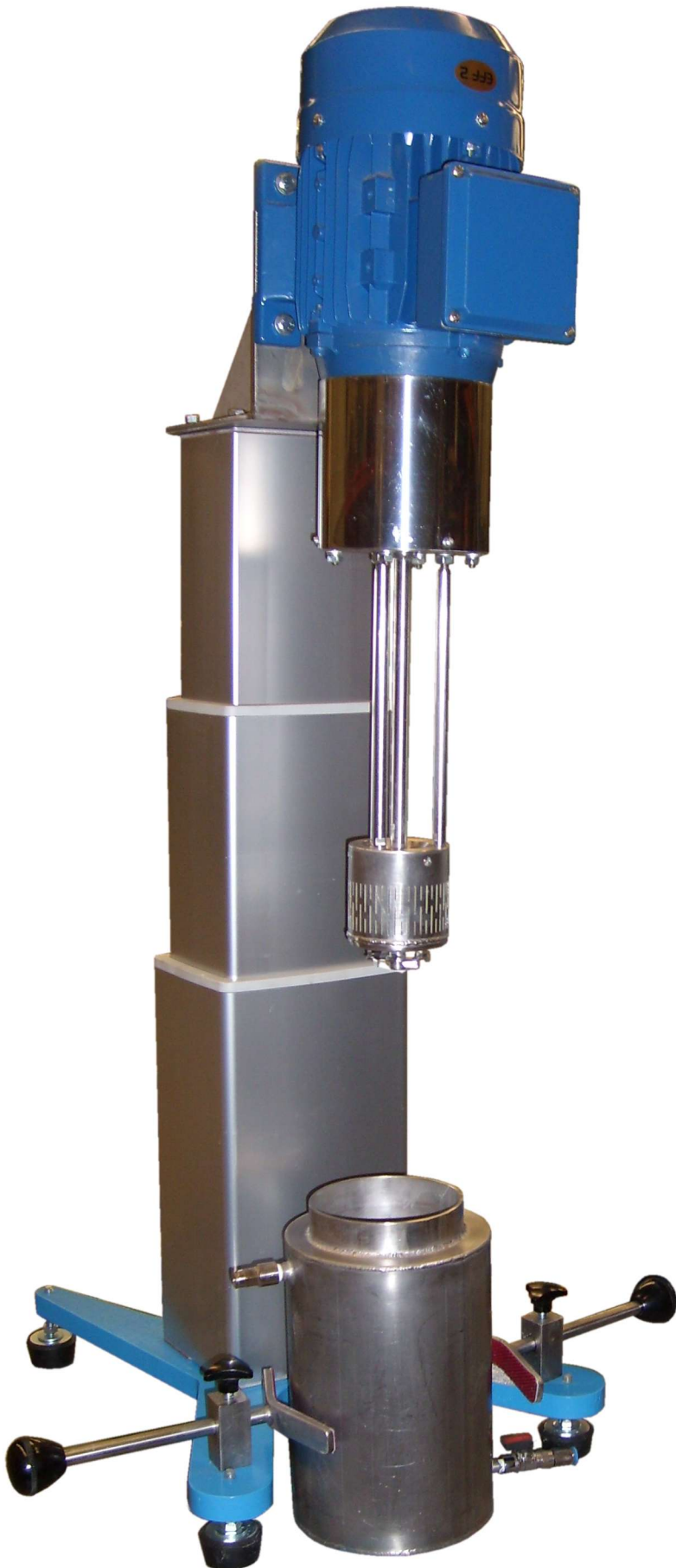
**VARIABLE**  
**SPEED / 900 RPM**

**ZIRCONIUM SILICATE /**  
**CERIUM BEADS**

**COOLED**  
**SS TANK 1L / 2L**



# GENERAL DIMENSIONS



LIFTING 400MM