

Filters

NTD has included in its production line a new wide range of filters and pre-filters.

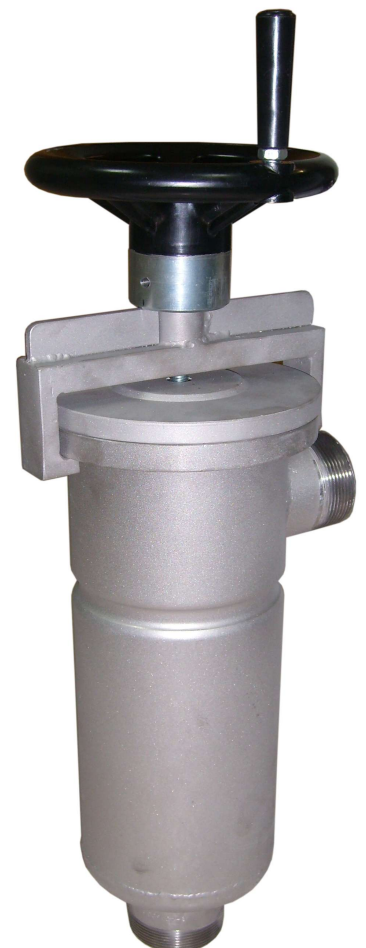


Basket Filters

- 100% stainless steel.
- Quick opening lid with clamp to ease the changing of beads.
- Input/output connections.
- Output connection at the bottom for a complete drainage of the filter.
- Bag-carrier basket.
- Filtering bag included. Filter fineness: not set.
- Volume reducer ball: available upon request.



Pre-filters



DIMENSIONAL DATA									
SERIE	MEASUREMENTS (mm)				VOLUME Litres	CONECTIONS		WEIGHT Kg	
	A	B	C (2) min			D	In/out		Venteo
Size 3	316	275	(1)	(1)	96	2,8	1" Gas-f	3/8" Gas-f	8
Size 4	454	412	(1)	(1)	98	4,0	1 1/2" Gas-f	3/8" Gas-f	9
Size 1	615	515	715	915	170	16,6	2" Gas-m	3/8" Gas-f	26
Size 2	980	880	1080	1280	170	28,0	2" Gas-m	3/8" Gas-f	30

3" Filter

Manufactured in stretched steel for high density products



Installation example

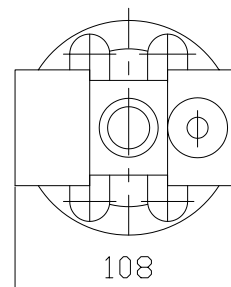
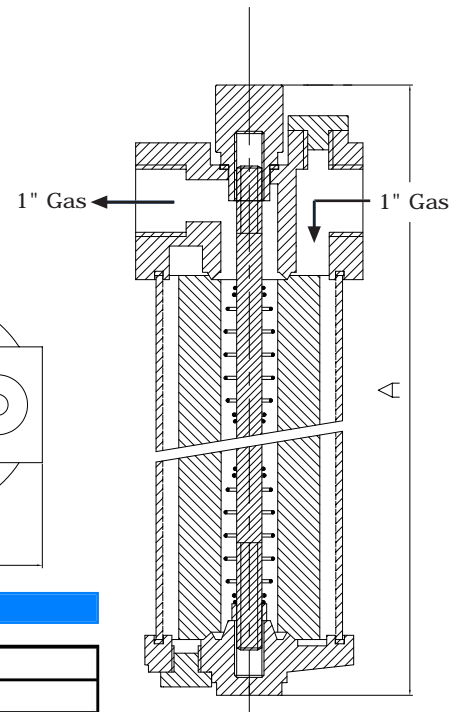


Automatic filter installation for resins, varnishes, lacquers...

Type Cune Filter

Measurements (mm)

Model	A
1"C (1 cartridge)	350
1"L (2cartridges)	600



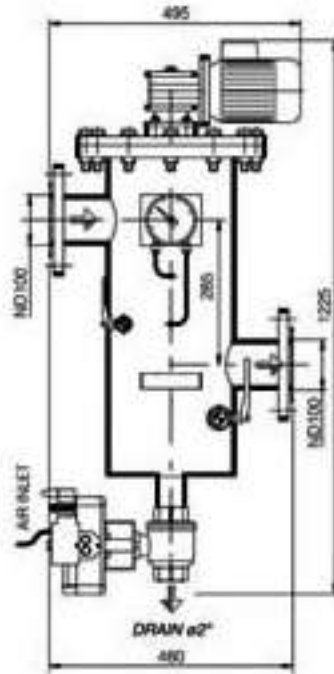
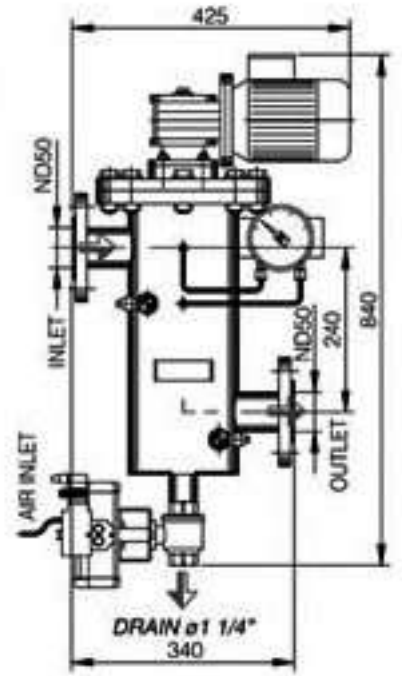
Technical Specifications

TYPE	1"C	1"L
Entry and exit	1" gas female	
Max.ser.pressure	6 kgs/cm2 at 120° C	
Net weight	5 kgs. - 5'5 kgs	
MATERIAL	IRON	
Head and lid	cast iron	
Cylinder	carbon steel	
Cylinder junction	teflon	
Nut and axis	carbon steel	
Nut junction	copper	
Cartridge spring guide	AISI 304 stainless steel	

Flow between 3 and 6 m3 depends on viscosity

Self-cleaning Filters

LF Model
Low flow



MF Model
Medium flow

HF Model
High flow

