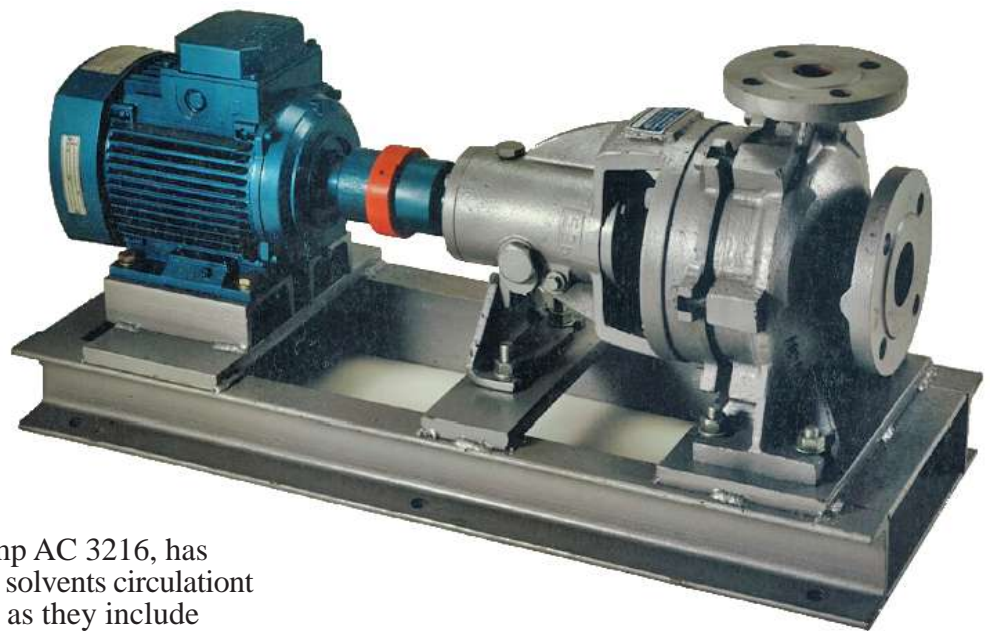


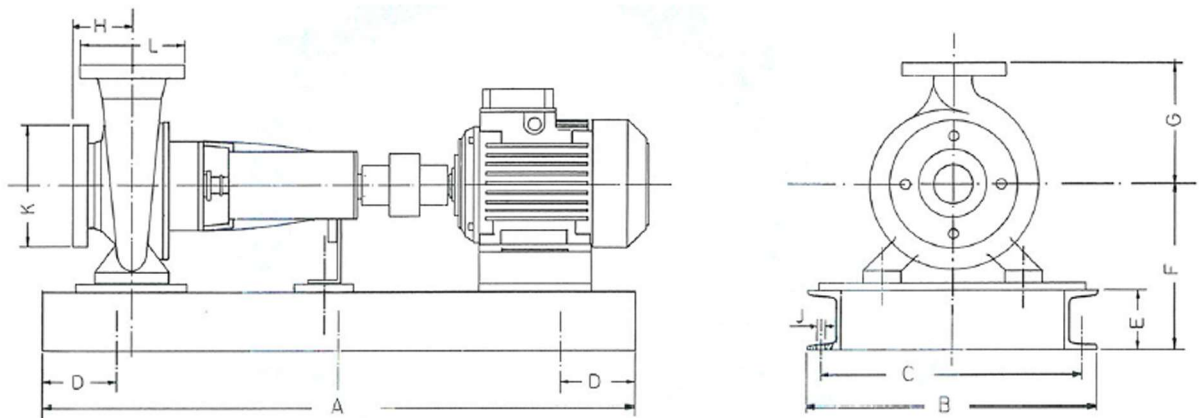
Centrifugal pump for solvents circulation

NTD has included in its supply line a new wide range of centrifugal pumps.



The centrifugal electric pump AC 3216, has been specially developed for solvents circulation at chemical industry plants, as they include mechanical seal inox-PTFE (Teflon). This system allows a safe solvents circulation.

The pump, with robust structure, includes a strong lantern with bearings that hold the shaft and flanges, providing great stiffness. Besides, the pump is designed to carry out from small circulations in the interior of the plants to cisterns discharging, as they can be connected to motors (EExd-flameproof) with different ranges of power and RPM.



A	B	C	D	E	F	G	H	J	K	L
800	390	350	100	80	225	160	80	12	1 1/2"	1 1/4"