

## Hand Pallet Truck with Scale

NTD has included in its supply line several hand pallet trucks with scale.

### IP55 Model



### EExd Model



# IP55 Model



## Printer

It is embed in the steel structure and well protected. It allows to get the weighing data.



## Tickets printing

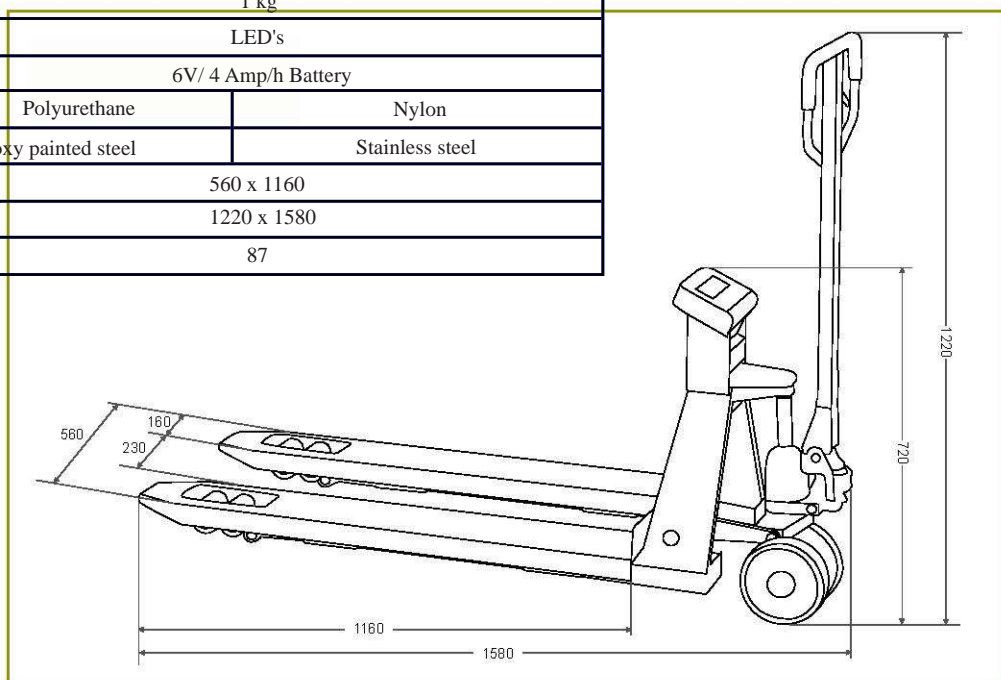
Cumulative weighing with weighing data and running total printing.

## Technical Specifications

Power supply: 6V / 4amp / H  
 Battery: Service life 30/60 hours  
 Operation Temperature: 0°C/+40°C

## Features and measurements

MODEL	TS	TS PRINTER	TS INOX	TS INOX PRINTER
Reference	60079	60082	60080	60127
Capacity	2000 kg			
Resolution	1 kg			
Display	LED's			
Power supply	6V/ 4 Amp/h Battery			
Wheels Material	Polyurethane		Nylon	
Structure Material	Epoxy painted steel		Stainless steel	
Fork dimensions (mm)	560 x 1160			
Total dimensions (mm)	1220 x 1580			
Net Weight (kg)	87			



# EExd Model



## MAIN FEATURES

- Maximum lifting capacity: 2500 kg
- Accuracy: +/- 0,1% of the capacity
- Fork dimensions: 1170 x 550 x 85 mm
- Weight: 120 kg approximately.
- Structure in extra thick steel with electrostatic painting.
- Standard rotating tow bar.
- Rubber steer wheels and double loading rollers in Polyurethane.
- Atex certified, 4 stainless steel IP68 shear-beam load cells.
- Indicator with easy to clean satined stainless steel case with IP68 enclosure built to withstand humid and dusty environments. Large LCD display 25-mm high contrast digits which are clearly visible even in dim lighting conditions. 17-key numerical/functional membrane waterproof keyboard
- Calibration and Set-up parameters configurable from keyboard or PC
- Removable battery.
- 150 h approximately battery range.
- 230Vac 50 Hz battery charger included to recharge in a safe area

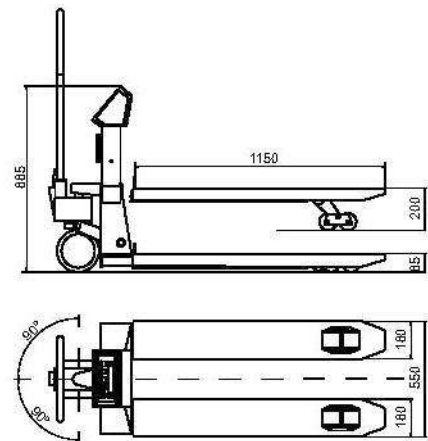
## KEYBOARD FUNCTIONS

- Zeroing, tare, printing (just in a safe area), numerical ID
- High resolution visualization x 10
- Nett/gross or lb/kg conversion
- Total weighing function
- Formulation
- Counting scale

## SELECTABLE FUNCTIONS

- Rechargeable battery
- Brake pedal
- Wide fork version 680 mm (by budget)
- Fork version 850-1500 mm (by budget)
- Special abilities or divisions version, high resolution (by budget)
- Special wheels (by budget)

## DIMENSIONS



## ATTENTION

Stainless steel fork is required in ATEX systems for light metal weighing (as aluminium, magnesium, titanium and their alloys)

## REFERENCIAS

	Model	Maximum capacity (kg)	Standard divisions (kg)	CE-M divisions (kg)	HR divisions (kg)
<b>INTERNAL USE MODEL</b>	TPWX2GD20	500 / 1000 / 2000	0,2 / 0,5 / 1	--	--
	TPWX2GD25	600 / 1500 / 2500	0,2 / 0,5 / 1	--	0,1 / 0,2 / 0,5
<b>LEGAL USE CE-M MODEL</b>	TPWX2GD20M M	1000 / 2000	--	0,5 / 1	--
	TPWX2GD15M M	600 / 1500	--	0,2 / 0,5	--
	TPWX2GD25M M	1500 / 2500	--	0,5 / 1	--